

**Quality European**

Manufactured Mortice Locks

Quality Cylinders

Quality European  
Manufactured Mortice Locks

# CATALOGUE



Quality Cylinders

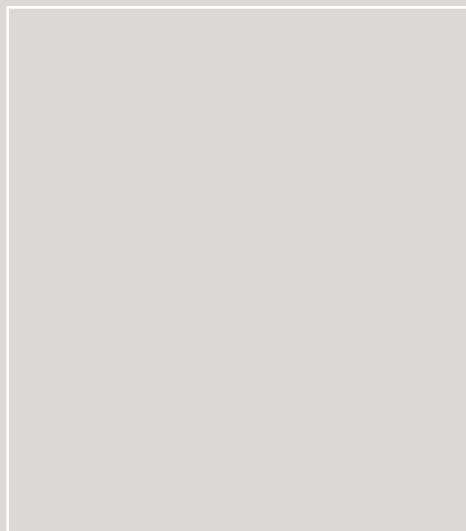
## **PROTECTOR** **SERIES**

Product Catalogue

Check out **PROTECTOR**  
Series Mortice Locks online now!

[www.lsc.com.au/protector](http://www.lsc.com.au/protector)

**Quality European**  
Manufactured Mortice Locks



Series 785

Series 757

Series 748

Series 712

Series 701

Series 485

Series 412

Series 401

Check out **PROTECTOR**  
Series Mortice Locks online now!

[www.lsc.com.au/protector](http://www.lsc.com.au/protector)

# **PROTECTOR** **S E R I E S**

**The PROTECTOR brand of mortice locks are the quality standout for professional installation in residential or commercial projects in the Australian and New Zealand markets.**

Produced in Europe by the same family company for over 70 years, installers and end-users alike choose the PROTECTOR brand as their go-to for reliable, no-fuss security for specialised installations.

The production process is entirely in-house, meaning PROTECTOR can control all aspects of the manufacturing process to ensure consistent and reliable quality.

Features such as strong springs, heavy pressed metal componentry and high-quality plating finishes mean the PROTECTOR mortice lock will give you years and years of trouble and maintenance free operation.

Known and available in Australia for many years, but now with a larger range, more colours and more sizes, you're sure to find a PROTECTOR lock to install in your quality residential or commercial building project.

Specialist face-plates or rebate kits compliment the range, and PROTECTOR have one of the best roller bolt locks on the market – giving secure yet convenient closure of patio or other doors.

PROTECTOR cylinders for European mortice locks are available in a wide range of popular architectural finishes and sizes, with the extended length cylinders providing for specialist installations or unique doors.

With a wider range of European doors arriving all the time, choose a PROTECTOR lock as your replacement to put your mind at ease.

When you want the best – choose PROTECTOR.

# TABLE OF CONTENTS

# 12

---

## **PROTECTOR Series**

748 Heavy Duty  
Mortice Sash Lock

## **Accessories**

# 06

---

## **PROTECTOR Series**

785 Euro Cylinder  
Operated Heavy Duty  
Mortice Lock

## **Accessories**

# 14

---

## **PROTECTOR Series**

701 Heavy Duty 5 Lever

## **PROTECTOR Series**

701 Single Throw  
Lever Deadbolt

## **Accessories**

# 08

---

## **PROTECTOR Series**

757 5 Lever Sash Lock

## **PROTECTOR Series**

757 Bathroom Mortice  
Sash Lock

## **PROTECTOR Series**

757 3 Lever Sash Lock

## **Accessories**

# 17

---

## **PROTECTOR Series**

712 Roller Bolt Mortice  
Sash Lock

# 18

---

**PROTECTOR Series**

485 Euro Sash lock

**Accessories**

# 20

---

**PROTECTOR Series**

412 Roller Bolt Mortice  
Sash Lock

**Accessories**

# 21

---

**PROTECTOR Series**

401 Series Deadbolt

# 22

**PROTECTOR**

Euro Double Cylinders

**PROTECTOR**

Turn & Emergency  
Release

**PROTECTOR**

Euro Half Cylinders

**PROTECTOR**

Euro Oval Cylinders

**PROTECTOR**

Euro Single Cylinders  
with Turnsnib

**PROTECTOR**

Euro Half Euro Turnsnib



**PROTECTOR  
SERIES**

Quality European  
Manufactured Mortice Locks



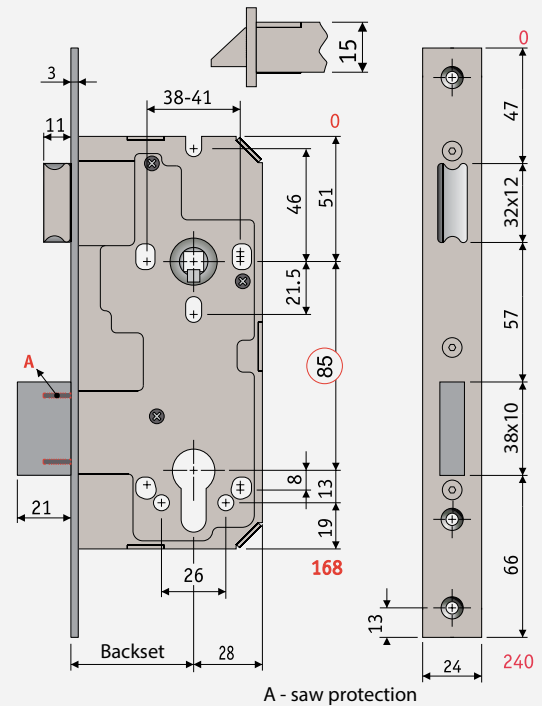
SA 85

Series 785

# PROTECTOR Series 785

## Mortice Sash Lock

- Backset: 45, 50, 55 & 60 mm.
- Pitch: 85 mm.
- Face plate: 240 (L) x 24 mm (W).
- Case size 168 (H) x backset + 28 mm (D) includes face plate.
- Strike 200 (L) x 24 mm (W) with 16 mm lip.
- Euro cylinder operated heavy duty mortice lock.
- Handle fixing centres 41 mm.
- Easily reversible without opening the case.
- 8 mm spindle hub.
- Double throw 21 mm deadbolt with anti-saw protection.
- Key retracts latch.
- Accommodate a fixed cam euro style cylinder.
- Supplied less cylinder, and less escutcheons.
- Finished in satin brass or stainless steel.

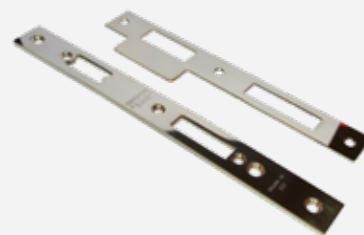


Code	Backset	Colour
PR78545SB	45 mm	Satin Brass
PR78545SS	45 mm	Stainless Steel
PR78550SB	50 mm	Satin Brass
PR78550SS	50 mm	Stainless Steel
PR78555SB	55 mm	Satin Brass
PR78555SS	55 mm	Stainless Steel
PR78560SB	60 mm	Satin Brass
PR78560SS	60 mm	Stainless Steel

## PROTECTOR Series 785 Accessories



**PROTECTOR** 785 series Euro mortice lock strike plate. Contains standard strike & screws. Supplied polybag.



**PROTECTOR** accessory pack for Protector Lock models 785 (85 mm pitch mortice locks). Contains faceplate, strike plate & screws. Supplied polybag.

Code	Colour	Code	Colour
PR785SPSB	Satin Brass	PR785ACCPKABH	Antique Bronze
PR785SPSS	Stainless Steel	PR785ACCPKMBC	Matt Black
		PR785ACCPKPBU	Polished Brass
		PR785ACCPKPSS	Polished Stainless
		PR785ACCPKSB	Satin Brass
		PR785ACCPKSS	Satin Stainless Steel

**PROTECTOR  
SERIES**

Quality European  
Manufactured Mortice Locks



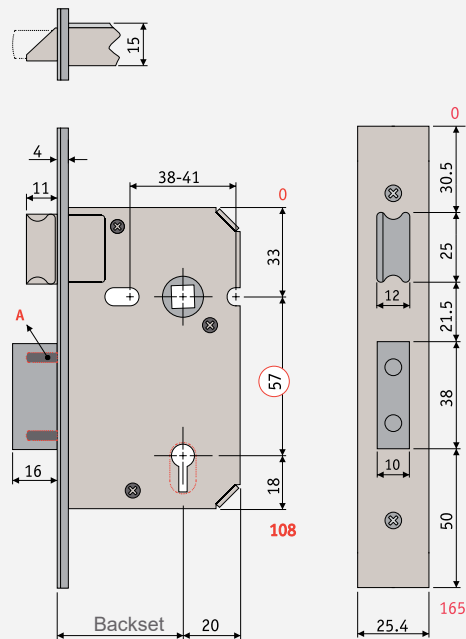
Series 757



# PROTECTOR Series 757

## 5 Lever Mortice Sash Lock

- Backset: 45 or 58 mm.
- Pitch: 57 mm.
- Face plate: 165 (L) x 25.4 mm (W).
- Case size: 108 (H) x backset + 20 mm (D) includes face plate.
- 5 Lever mortice sash lock.
- Heavy duty hardened anti drill black steel case.
- Anti saw protected bolt.
- Bolt throw 16 mm & latch 11 mm.
- Heavy duty box strike.
- Supplied with 2 keys.
- Supplied with all fixing screws.
- Supplied boxed.
- Finished in satin brass and stainless steel.



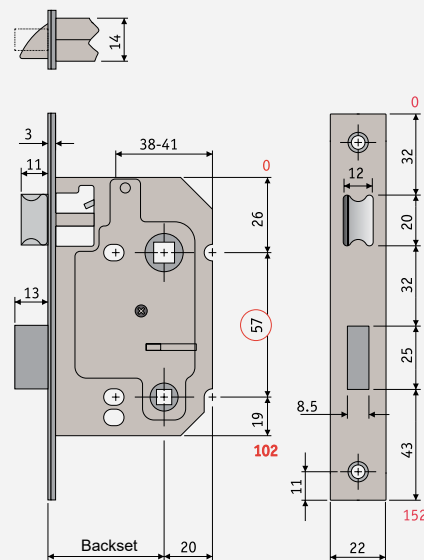
A - saw protection

Code	Backset	Colour
PR75745SB	45 mm	Satin Brass
PR75745SS	45 mm	Stainless Steel
PR75758SB	58 mm	Satin Brass
PR75758SS	58 mm	Stainless Steel

# PROTECTOR Series 757

## Bathroom Mortice Sash lock

- Backset: 58 mm.
- Case size: 102 (H) x backset + 20 mm (D) x 14 mm (W).
- Face plate: 152 (L) x 22 mm (W).
- Privacy function (5 mm square spindle drives bolt).
- Steel case.
- Supplied with strike plate & screws.
- Supplied polybag.
- Large range of finishes.



Code	Backset	Colour
PR757P58AB	58 mm	Antique Bronze
PR757P58PSS	58 mm	Polished Stainless Steel
PR757P58SS	58 mm	Satin Stainless Steel
PR757P58VBD	58 mm	Dark Venetian Bronze
PR757P58SB	58 mm	Satin Brass

# PROTECTOR Series 757

## 3 Lever Mortice Lock

- Backset: 58 mm
- Case size: 78 (D) x 102 (H) x 14 mm (W).
- Face plate: 152 (L) x 22 mm (W).
- 3 lever mortice lock.
- Steel case.
- Supplied with 2 pre-cut keys.
- Supplied with strike plate & screws.
- Supplied polybag.
- Large range of finishes.



Code	Backset	Colour
PR7573L58AB	58 mm	Antique Brass
PR7573L58PB	58 mm	Polished Brass
PR7573L58SS	58 mm	Satin Stainless Steel
PR7573L58VBD	58 mm	Dark Venetian Bronze

# PROTECTOR Series 757 3 Lever & 757P Bathroom Accessories



- Accessory pack for PROTECTOR lock models 757 (3 lever mortice lock) & 757P (bathroom mortice lock).
- Contains faceplate, strike plate & screws.
- Supplied polybag.
- Large range of finishes.

Code	Colour
PR757ACCPKABH	Antique Bronze
PR757ACCPKMBC	Matt Black
PR757ACCPKPB	Polished Brass
PR757ACCPKPSS	Polished Stainless Steel
PR757ACCPKSSS	Satin Stainless Steel

## PROTECTOR Series 748 & 757 5 Lever Accessory Pack



- Accessory pack for PROTECTOR Lock models 748 & 757 5 lever mortice locks.
- Contains faceplate, heavy duty box strike, and all screws.
- Supplied polybag.
- Large range of finishes.

Code	Colour
PR748757ACCPKABH	Antique Bronze
PR748757ACCPKMBC	Matt Black
PR748757ACCPKPBU	Polished Brass Unlacquered
PR748757ACCPKPSS	Polished Stainless Steel
PR748757ACCPKSB	Satin Brass
PR748757ACCPKVBD	Dark Venetian Bronze
PR748757ACCPKSS	Satin Stainless

## PROTECTOR Series 748 & 757 5 Lever Rebate Kit



- Rebate kit to suit 748 & 757 series PROTECTOR Locks.
- 192 (L) x 29 mm (W).
- Non handed.
- Large range of finishes.

Code	Colour
PR748757REBKITMBC	Matt Black
PR748757REBKITPBU	Polished Brass Unlacquered
PR748757REBKITPSS	Polished Stainless Steel
PR748757REBKITSB	Satin Brass
PR748757REBKITSS	Satin Stainless Steel

**PROTECTOR  
SERIES**

Quality European  
Manufactured Mortice Locks

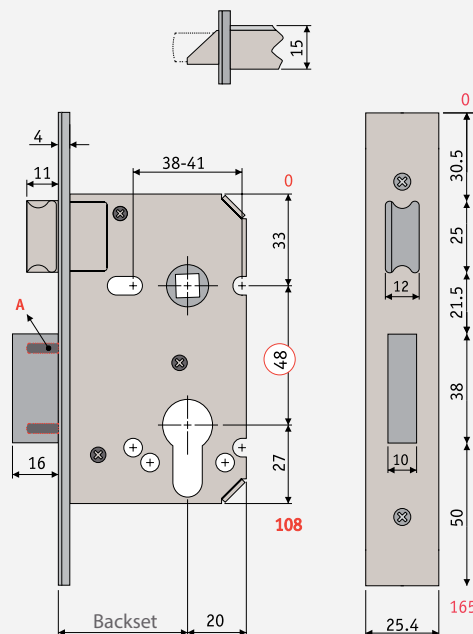


# SE 748

Series 748

# PROTECTOR Series 748 Euro Cylinder Mortice Sash Lock

- Backset: 45 or 58 mm.
- Pitch: 48 mm.
- Case size: 108 (H) x backset + 20 mm (D).
- Face plate: 165 (L) x 25.4 mm (W).
- Accommodates fixed cam Euro cylinder (not included).
- Retrofits most lever key mortice locks such as Yale, Union and Legge.
- Meets AS4145.2 - 1993. S3. Reversible latchbolt.
- 16 mm brass deadbolt with hardened steel insert.
- Heavy duty steel case.
- Hardened steel plates to protect both sides of the lock against drilling.
- Heavy duty box strike. Suits 32-40 mm doors.
- Supplied boxed.



A - saw protection

## Code

## Backset

## Colour

PR74845SB

45 mm

Satin Brass

PR74845SS

45 mm

Satin Stainless Steel

PR74858SB

58 mm

Satin Brass

PR74858SS

58 mm

Satin Stainless Steel

PR74858FSSS (supplied with flat strike)

58mm

Satin Stainless Steel

# PROTECTOR Series 748 Accessories



**PROTECTOR** series 748 face plate. Supplied without screws. Satin brass finish and satin stainless steel. Supplied loose.

**PROTECTOR** series 748 face plate screw. Finished in satin brass and stainless steel.

## Code

## Colour

PR748FPSCREWSB

Satin Brass

PR748FPSCREWSS

Stainless Steel

## Code

## Colour

PR748FPSB

Satin Brass

PR748FPSS

Satin Stainless Steel

## Code

## Colour

PR748FSSB

Satin Brass

PR748FSSS

Stainless Steel

\***PROTECTOR** Series 748 uses the same accessories (strikes & rebate kits as per page 11)

**PROTECTOR**  
**SERIES**

Quality European  
Manufactured Mortice Locks



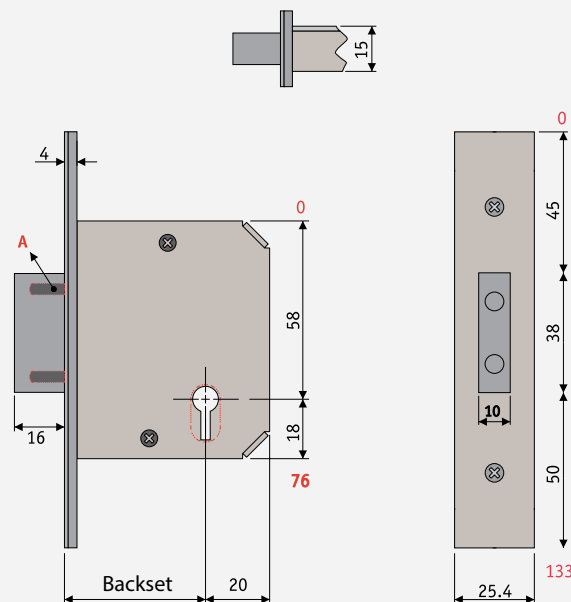
# PROTECTOR SERIES 701

Series 701

# PROTECTOR Series 701

## 5 Lever Deadbolt

- Backset: 45 or 58 mm.
- Case size: 76 (H) x backset + 20 mm (D) includes face plate.
- Face plate: 133 (L) x 25.4 mm (W).
- 5 Lever mortice deadbolt.
- Heavy duty hardened anti drill black steel case.
- Anti saw protected bolt.
- Bolt throw 16 mm.
- Heavy duty box strike.
- Supplied with 2 keys.
- Supplied with metal bit key escutcheons and all fixing screws.
- Supplied boxed.
- Finished in satin brass & satin stainless steel



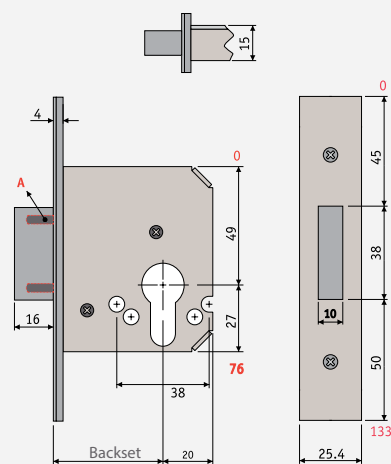
A - saw protection

Code	Backset	Colour
PR7015L45SB	45 mm	Satin Brass
PR7015L45SS	45 mm	Satin Stainless Steel
PR7015L58SB	58 mm	Satin Brass
PR7015L58SS	58 mm	Satin Stainless Steel

# PROTECTOR Series 701 Euro

## Cylinder Deadbolt

- Backset: 45 or 58 mm.
- Case size: 102 (H) x backset + 20 mm (D) x 15 mm (W).
- Face plate: 168 (L) x 25.4 mm (W).
- Single throw Euro cylinder deadbolt.
- Anti Drill Steel case.
- Supplied with Euro cylinder retaining screw.
- Supplied with heavy duty box strike & screws.
- Supplied boxed.
- Finished in satin brass & satin stainless steel.



A - saw protection

Code	Backset	Colour
PR70145SB	45 mm	Satin Brass
PR70145SS	45 mm	Satin Stainless Steel
PR70158SB	58 mm	Satin Brass
PR70158SS	58 mm	Satin Stainless Steel

# PROTECTOR Series 701 5 Lever & 701 Euro Cylinders Deadbolt Accessories

- PROTECTOR accessory pack for PROTECTOR Lock models 701 Euro locks & 701 5-lever lock.
- Contains faceplate, box striker & screws.
- Large range of finishes.
- Supplied polybag.



Code	Colour
PR701ACCPKABH	Antique Bronze
PR701ACCPKMBC	Matt Black
PR701ACCPKPB	Polished Brass
PR701ACCPKPSS	Polished Stainless Steel
PR701ACCPKSB	Satin Brass
PR701ACCPKSSS	Satin Stainless Steel

# PROTECTOR Universal Rebate Kit

- Suits 485 & 785 85mm pitch mortice locks.
- Available in Polished Brass & Satin Chrome

Code	Colour
PR64009	Polished Brass
PR64029	Satin Chrome

Check out **PROTECTOR** Series Mortice Locks online now!

[www.lsc.com.au/protector](http://www.lsc.com.au/protector)

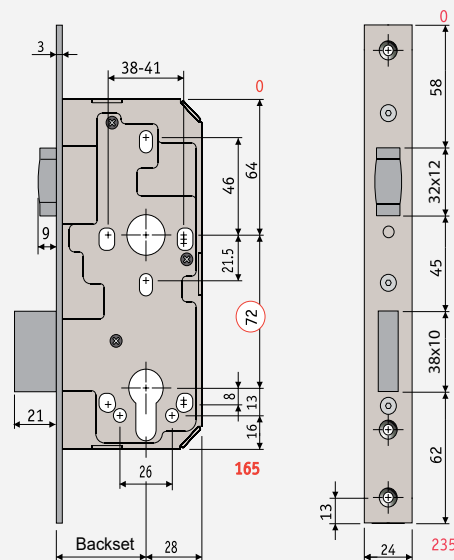
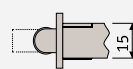


# SEPER 712

Series 712

## PROTECTOR Series 712 Roller Bolt Mortice Sash

- Backset: 45, 50, 60 mm.
- Pitch: 72 mm.
- Face plate: 235 (L) x 24 mm (W).
- Case size: 165 (H) x backset + 28 (D) x 15 mm (W).
- Adjustable roller operates independently from cylinder.
- Supplied boxed.
- Finished in satin brass & satin stainless steel



Code	Backset	Colour
PR71245SB	45 mm	Satin Brass
PR71245SS	45 mm	Satin Stainless Steel
PR71250SB	50 mm	Satin Brass
PR71250SS	50 mm	Satin Stainless Steel
PR71260SB	60 mm	Satin Brass
PR71260SS	60 mm	Satin Stainless Steel

**PROTECTOR**  
**S E R I E S**

Quality European  
Manufactured Mortice Locks



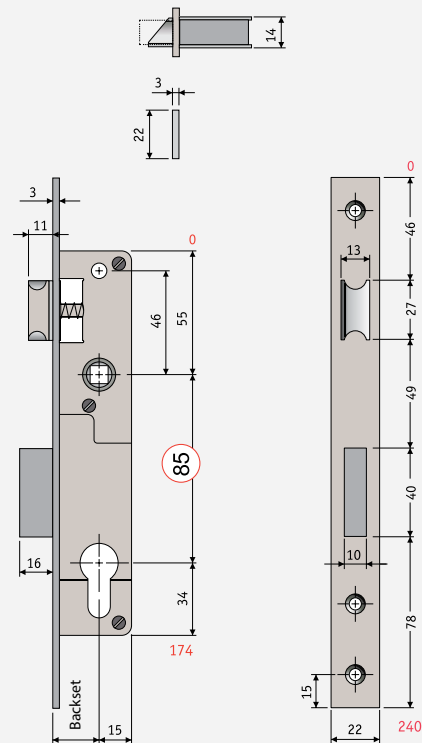
# PROTECTOR 485

Series 485

# PROTECTOR Series 485

## Mortice Sash Lock

- Backset: 20, 25, 30, 35 or 40 mm.
- Pitch: 85 mm.
- Face plate: 240 (L) x 22 mm (W).
- Case size: 174 (H) x backset + 15 mm (D) includes face plate.
- Easily reversible without opening the case.
- 8 mm spindle hub.
- Single throw 15 mm deadbolt.
- Key retracts latch. Compatible with a fixed cam Euro style cylinder.
- Supplied less cylinder.
- Supplied with Euro cylinder retaining screw.
- Supplied with black plastic escutcheons, strike plate & fixing screws.
- Strike 170 (L) x 24 mm (W) with 16 mm lip.
- Supplied boxed.
- Finished in satin brass & satin stainless steel.



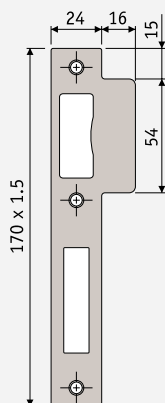
### Code

### Backset

### Colour

PR48520SB	20 mm	Satin Brass
PR48520SS	20 mm	Satin Stainless Steel
PR48525SB	25 mm	Satin Brass
PR48525SS	25 mm	Satin Stainless Steel
PR48530SB	30 mm	Satin Brass
PR48530SS	30 mm	Satin Stainless Steel
PR48535SB	35 mm	Satin Brass
PR48535SS	35 mm	Satin Stainless Steel
PR48540SB	40 mm	Satin Brass
PR48540SS	40 mm	Satin Stainless Steel

## Accessories



**PROTECTOR 485 series mortice sash lock strike plate.** Contains standard strike & screws. Supplied polybag.

### Code

### Colour

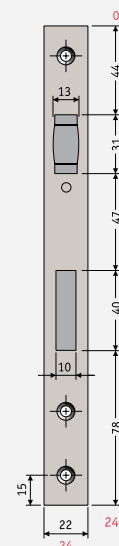
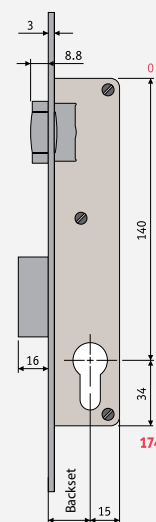
PR485SPSB	Satin Brass
PR485SPSS	Stainless Steel

# SERIES 412

Series 412

## PROTECTOR Series 412 Roller Bolt Mortice Sash

- Backset: 30 mm
- Case size: 174 (H) x 45 (D) x 14 mm (W).
- Face plate: 240 (L) x 24 mm (W).
- Adjustable roller operates independently from cylinder.
- Contains standard strike & screws.
- Finished in satin brass & satin stainless steel.
- Supplied boxed.



Code	Backset	Colour
PR41230SB	30 mm	Satin Brass
PR41230SS	30 mm	Satin Stainless Steel

## PROTECTOR Series 412 Strike Plates

Code	Colour
PR412SPSB	Satin Brass
PR412SPSS	Satin Stainless Steel

Check out **PROTECTOR**  
Series 412 online now!

[www.lsc.com.au/protector](http://www.lsc.com.au/protector)

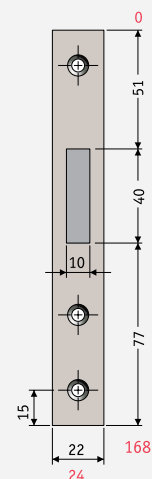
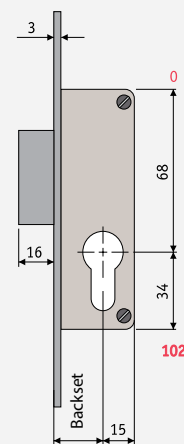
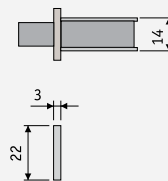
**PROTECTOR**  
SERIES

# SERIES 401

Series 401

## PROTECTOR Series 401 Euro Deadbolt

- Backset: 25 mm.
- Case size: 102 (H) x 40 (D) x 14 mm (W).
- Face plate: 168 (L) x 22 mm (W).
- Single throw Euro cylinder deadbolt.
- Steel case.
- Supplied with 2 plastic Euro escutcheons (black).
- Supplied with strike plate & screws.
- Supplied boxed.
- Finished in satin brass & satin stainless steel



**Code**

**Backset**

**Colour**

PR40125SB

25 mm

Satin Brass

PR40125SS

25 mm

Satin Stainless Steel

**PROTECTOR**  
**SERIES**

Quality  
Manufactured Cylinders



Cylinders

# CYLINDERS

# PROTECTOR Series

## Double Cylinders

- Overall length 70 to 120 mm.
- Body size 35/35 mm to 60/60 mm.
- Fixed cam.
- LW4, 5 pin or LW5, 6 pin double cylinder.
- Keyed to differ or keyed alike.
- Supplied with 2 keys.
- Cylinder retaining screw not supplied.
- Large range of finishes.
- Supplied boxed.



Code	Profile	Body Size	Length	Keyed	Colour
PCD705PKAMBC	LW4, 5 Pin	35/35 mm	70 mm	Keyed alike	Matt Black
PCD705PKAVBD	LW4, 5 Pin	35/35 mm	70 mm	Keyed alike	Venetian Bronze Dark
PRCYL5KACP	LW4, 5 Pin	35/35 mm	70 mm	Keyed alike	Chrome Plate
PRCYL5KAPB	LW4, 5 Pin	35/35 mm	70 mm	Keyed alike	Polished Brass
PRCYL5PB	LW4, 5 Pin	35/35 mm	70 mm	Keyed to differ	Solid Brass
PRCYL5SC	LW4, 5 Pin	35/35 mm	70 mm	Keyed to differ	Satin Chrome
PCD906PB	LW5, 6 Pin	45/45 mm	90 mm	Keyed to differ	Polished Brass
PCD906PKDCP	LW5, 6 Pin	45/45 mm	90 mm	Keyed to differ	Chrome Plate
PCD90KASC	LW4, 5 Pin	45/45 mm	90 mm	Keyed alike	Satin Chrome
PCD90KDBLK	LW4, 5 Pin	45/45 mm	90 mm	Keyed to differ	Matt Black
PCD90SC	LW4, 5 Pin	45/45 mm	90 mm	Keyed to differ	Satin Chrome
PCD100SC	LW4, 5 Pin	50/50 mm	100 mm	Keyed to differ	Satin Chrome
PCD100SCKA	LW4, 5 Pin	50/50 mm	100 mm	Keyed alike	Satin Chrome
PCD1106PKDCP	LW5, 6 Pin	55/55 mm	110 mm	Keyed to differ	Chrome Plate
PCD110KASC	LW4, 5 Pin	55/55 mm	110 mm	Keyed alike	Satin Chrome
PCD110KDCP	LW4, 5 Pin	55/55 mm	110 mm	Keyed to differ	Chrome Plate
PCD110KDSC	LW4, 5 Pin	55/55 mm	110 mm	Keyed to differ	Satin Chrome
PCD1205PSC	LW4, 5 Pin	60/60 mm	120 mm	Keyed to differ	Satin Chrome
PCD140SC	Lw4, 5 Pin	70/70 mm	140 mm	Keyed to differ	Satin Chrome

# PROTECTOR Turn & Emergency Release

- Overall length 70 mm excluding turn.
- Body size 35 mm / 35 mm + turn 21 mm
- Fixed cam.
- Non keyed slot face cylinder with turn.
- Can be unlocked in an emergency situation with a coin or screw driver.
- Cylinder retaining screw not supplied.



Code	Length	Colour
PRPTE70CP	70 mm	Chrome Plate
PRPTE70SC	70 mm	Satin Chrome

# PROTECTOR Series

## Half Cylinders

- Overall length 45 mm.
- Body size 35 mm / 10 mm.
- Fixed cam.
- LW4, 5 pin half euro cylinder.
- Keyed alike or to differ options available
- Supplied with 2 keys.
- Cylinder retaining screw not supplied.
- Large range of finishes.
- Supplied boxed.



Code	Profile	Body Size	Length	Keyed	Colour
PCS355PKAPB	LW4, 5 Pin	35/10 mm	45 mm	Keyed alike	Polished Brass
PCS355PKDABH	LW4, 5 Pin	35/10 mm	45 mm	Keyed to differ	Antique Bronze
PCS35PB	LW4, 5 Pin	35/10 mm	45 mm	Keyed to differ	Polished Brass
PCS35SC	LW4, 5 Pin	35/10 mm	45 mm	Keyed to differ	Solid Brass

# PROTECTOR Series

## Oval Cylinders

- Overall length 34 to 74 mm.
- 6 pin oval cylinder (keyed to 5 pin)
- Suits most oval cylinder mortice locks.
- Keyed alike.
- Supplied with 2 keys.
- Supplied with Z cam fitted.
- Large range of finishes.
- Supplied boxed.
- Available in turnsnib.



Code	Profile	Length	Colour
PROC34ZKAMBC	6 pin	34 mm	Matt Black
PROC34ZKASCP	6 pin	34 mm	Satin Chrome
PROC54ZKASCP	6 pin	54 mm	Satin Chrome
PROC74ZKASCP	6 pin	74 mm	Satin Chrome
PROT34PB	turnsnib	34 mm	Polished Brass
PROT34SCP	turnsnib	34 mm	Satin Chrome





# PROTECTOR Series

## Single Cylinder With Turn

- Overall length 70 to 110 mm excluding turn.
- Body size 35 mm / 35 mm to 50 mm / 50 mm + turn 21 mm
- Fixed cam.
- LW4, 5 pin cylinder with turn.
- Keyed alike or keyed to differ.
- Supplied with 2 keys.
- Cylinder retaining screw not supplied.
- Large range of finishes.
- Supplied boxed.



Code	Profile	Body Size	Length	Keyed	Colour
PCT705PKACP	LW4, 5 Pin	35/35 mm	70 mm	Keyed to differ	Chrome Plate
PCT706PB	LW5, 6 Pin	35/ 35 mm	70 mm	Keyed to differ	Solid Brass
PCT706PKAPB	LW5, 6 Pin	35/35 mm	70 mm	Keyed alike	Polished Brass
PCT70CP	LW4, 5 Pin	35/35 mm	70 mm	Keyed to differ	Chrome Plate
PCT70PB	LW4, 5 Pin	35/35 mm	70 mm	Keyed to differ	Polished Brass
PCT70SC	LW4, 5 Pin	35/35 mm	70 mm	Keyed to differ	Satin Chrome
PCT905PKACP	LW4, 5 Pin	45/45 mm	90 mm	Keyed alike	Chrome Plate
PCT90KASC	LW4, 5 Pin	45/45 mm	90 mm	Keyed alike	Satin Chrome
PCT90NP	LW4, 5 Pin	45/45 mm	90 mm	Keyed to differ	Nickle Plate
PCT90SC	LW4, 5 Pin	45/45 mm	90 mm	Keyed to differ	Satin Chrome
PCT906SC	LW5, 6 Pin	45/45 mm	90 mm	Keyed to differ	Satin Chrome
PCT90MB	LW4, 5 Pin	45/45 mm	90 mm	Keyed to differ	Matt Black
PCT90PB	LW4, 5 Pin	45/45 mm	90 mm	Keyed to differ	Polished Brass
PCT1005PKASC	LW4, 5 Pin	50/50 mm	100 mm	Keyed alike	Satin Chrome
PCT110KDSCP	LW4, 5 Pin	50/50 mm	110 mm	Keyed to differ	Antique Bronze

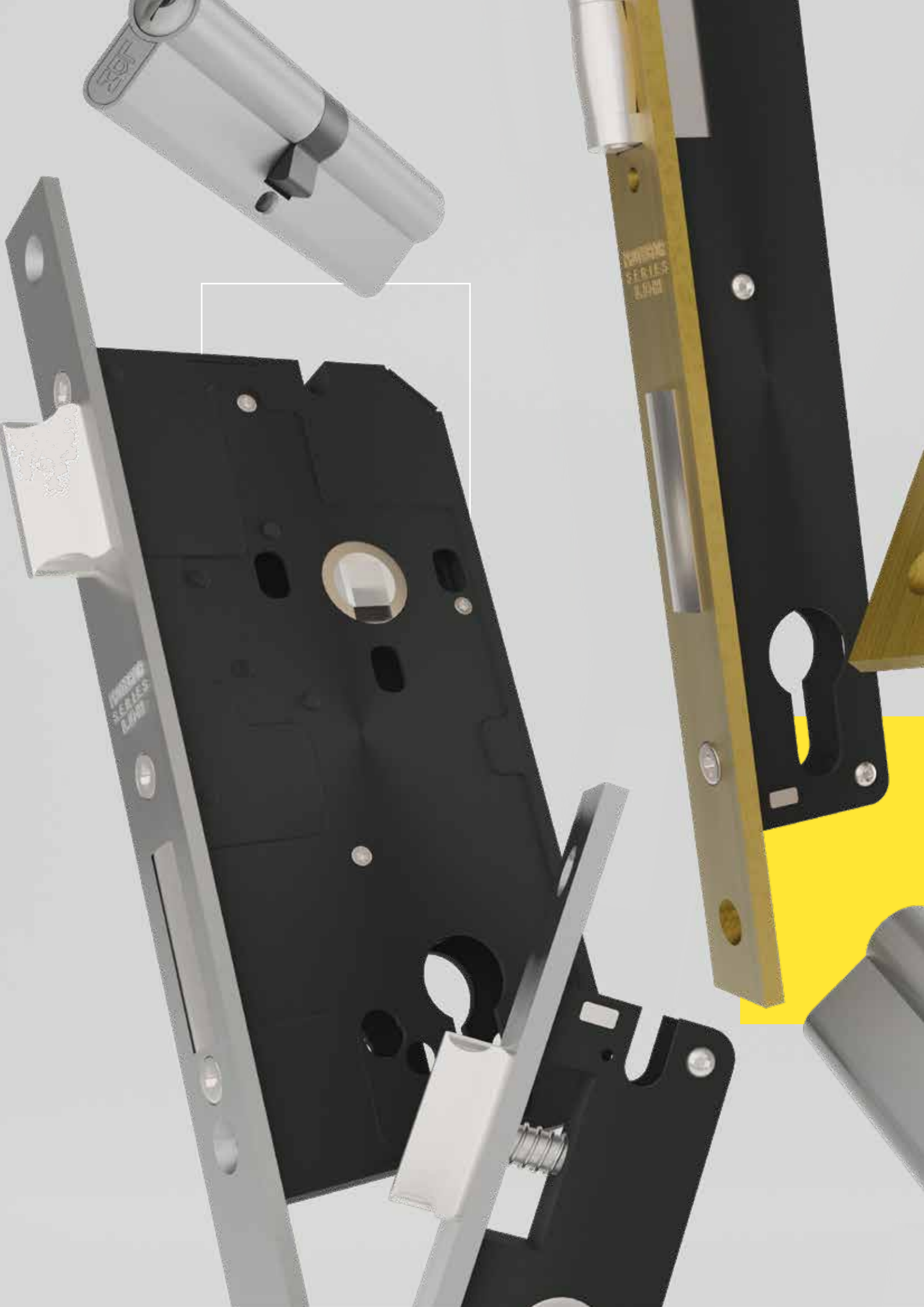
# PROTECTOR Series

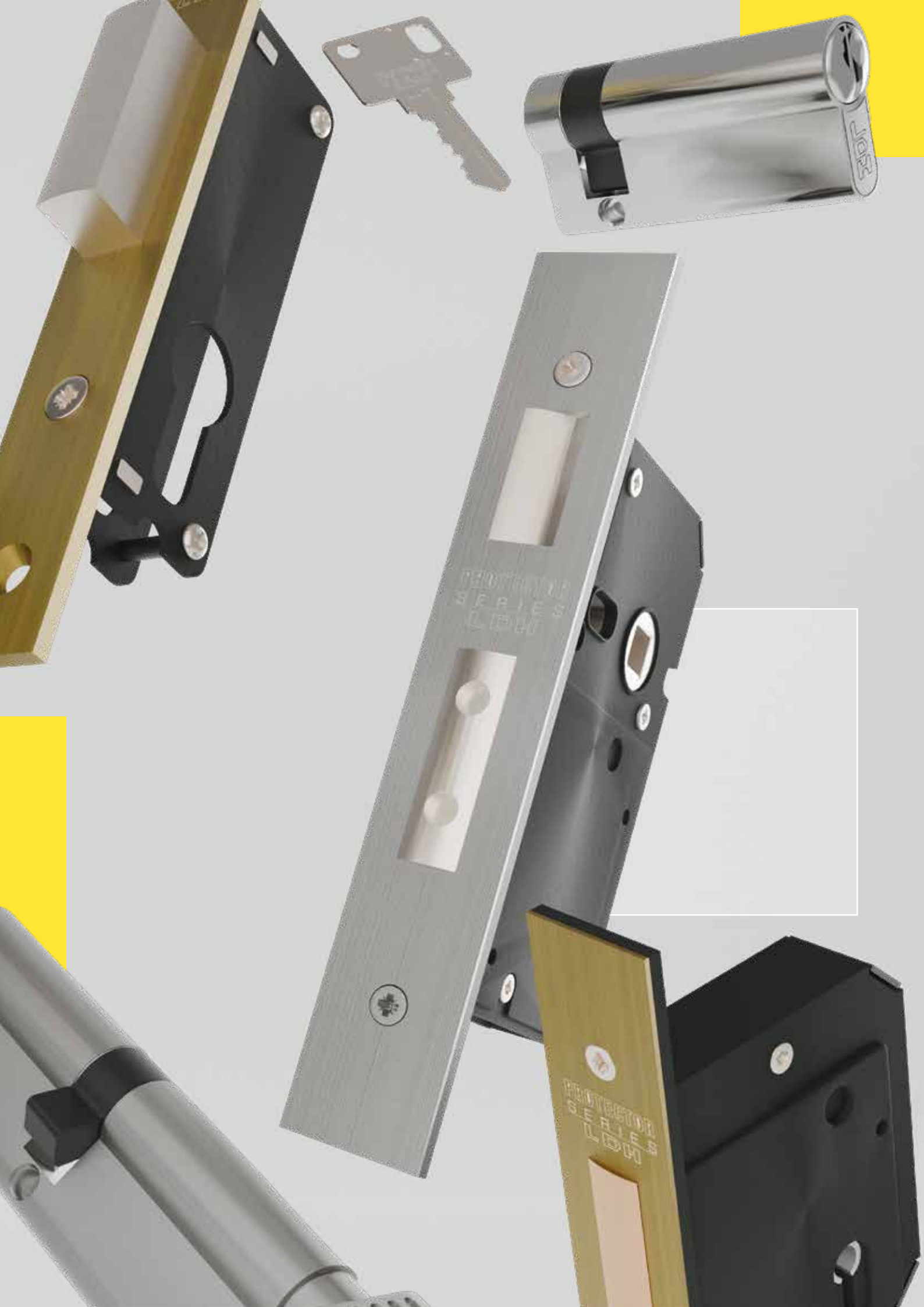
## Half Euro Turnsib

- Half Euro turnsnib only.
- Non keyed.
- Overall length 45 mm excluding turnsnib.
- Body size 35 mm / 10 mm + turn 21 mm.
- Cylinder retaining screw not supplied.
- Large range of finishes.
- Supplied boxed.



Code	Colour
PRPT35PB	Polished Brass
PRPT35CP	Chrome Plate
PRPT35MBC	Matt Black
PRPT35SC	Satin Chrome





# **PROTECTOR** S E R I E S

## **Quality European**

Manufactured Mortice Locks

Quality Cylinders

Check out **PROTECTOR**  
Series Mortice Locks online now!

[www.lsc.com.au/protector](http://www.lsc.com.au/protector)